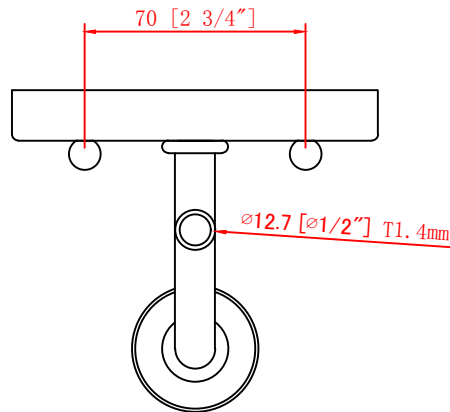
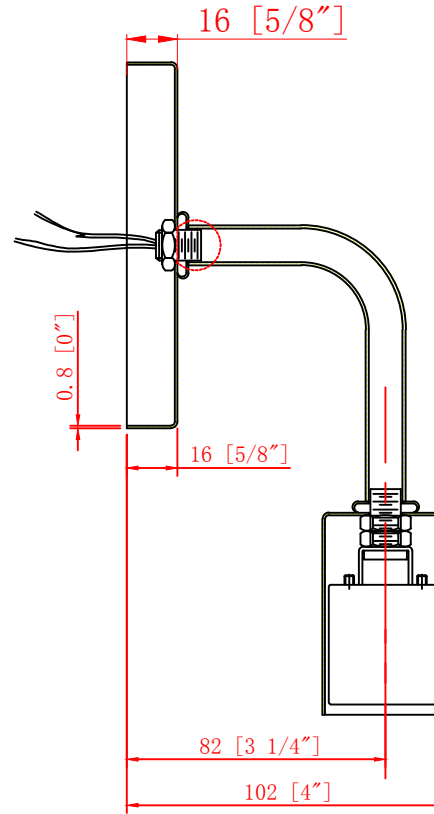
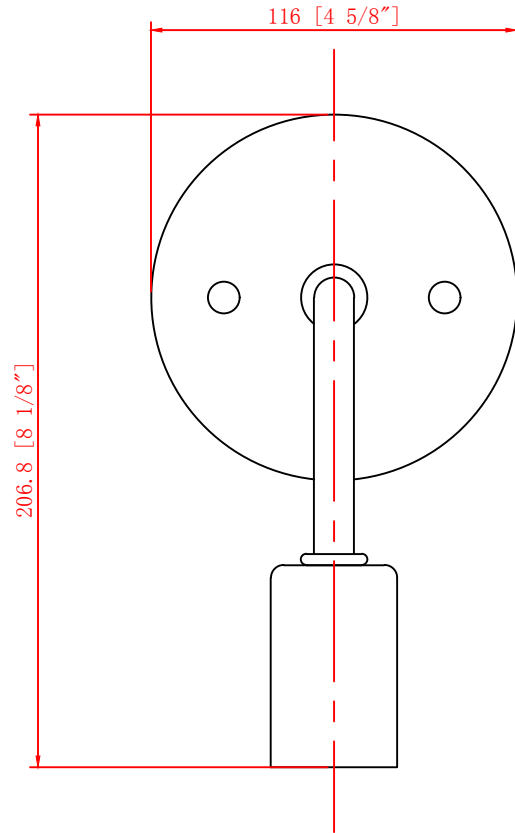


**UL SPECIFICATION**

- \* FIXTURE SHALL BE LISTED FOR LOCATION ONLY AND LABELED AS SUCH.
- \* FIXTURE MUST BE MANUFACTURED IN ACCORDANCE WITH UL STANDARD 1598.

**PARTS SPECIFICATIONS**  
**ITEM QTY DESCRIPTION**

- A (1) SOCKET- UL LISTED/CSA CERTIFIED  
BASE=MEDIUM  
SOCKET=PORCELIN  
SEE LEAD WIRE FOR SOCKET WIRE SPEC.
- B (1) LEAD WIRE- 7" [180] FROM CANOPY  
UL LISTED/CSA CERTIFIED, AWG #18  
105°C BLACK AND WHITE WIRE.  
STRIP 1/2 [12.7], SPLIT 3 [76.2].  
FROM TOP OF SCROLL.  
(SEE CHART FOR COLOR).
- C (1) GROUND WIRE- 7" [180] FROM CANOPY  
1/4 LAY COPPER GROUND WIRE.  
FROM TOP OF SCROLL.  
(SEE CHART FOR TINT).



NO.	PART NO.	DESCRIPTION	REQ.

NOTE: ANY DESIGN OR OTHER INFORMATION HEREON DEVELOPED BY THIS COMPANY IS CONFIDENTIAL MATERIAL AND EXCLUSIVE PROPERTY OF THE L.D. ALFA CO. DISCLOSURE OR REPRODUCTION REQUIRES THE WRITTEN CONSENT OF THE L.D. ALFA CO.

**INNOVATIONS**  
CREATIVITY MEETS EVOLUTIONARY DESIGN

DRAWN IN THIRD ANGLE PROJECTION				"mm" DIMENSION INDICATED IN [ ] DIMENSION IN [ ] IS FOR REF. ONLY			
TOLERANCES (EXCEPT AS NOTED)				TOLERANCES (EXCEPT AS NOTED)			
DECIMAL	ANGULAR	FRACTIONAL	SCALE	DECIMAL	ANGULAR	FRACTIONAL	SCALE
NONE ±.031	± 1/2°	± 1/32	FULL	± .015	± 1/2°	± 1/32	FULL
X ±.015				XX ±.010			
XXX ±.005				DATE	DRAWN BY	CHECKED BY	APPROVED BY
				25/06/019	SSL	X	X

TITLE		
1LT WALL MOUNT		
PART NO.	WALL	REV.
ITEM NO.	622-1W	REV.